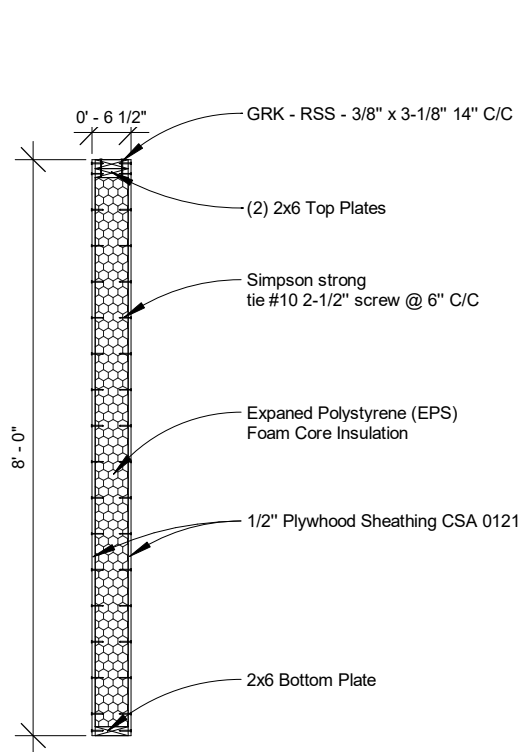
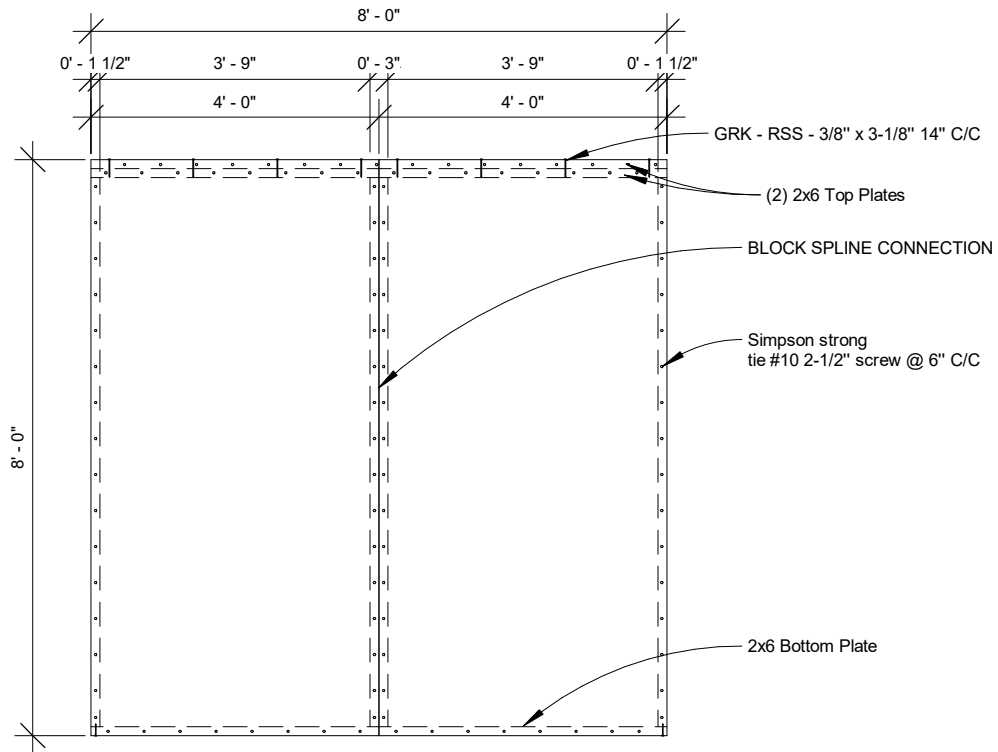


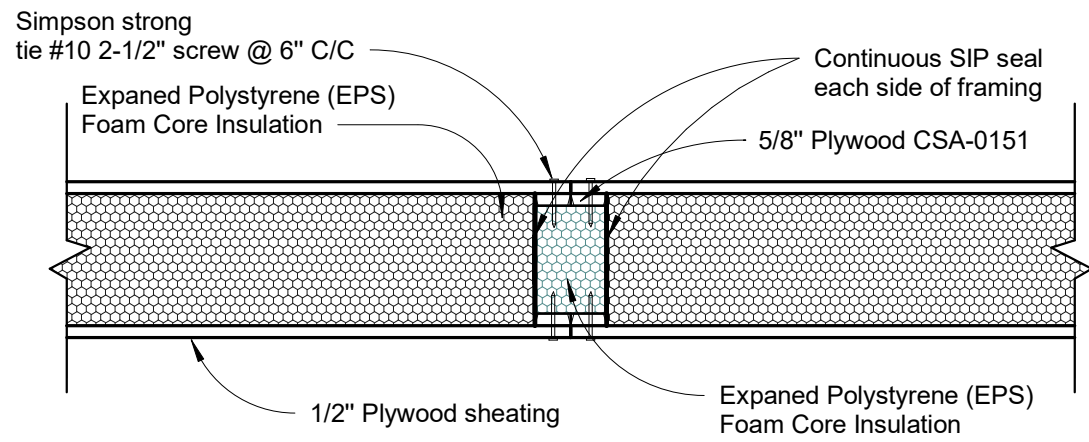
**BLOCK SPLINE CONNECTION DETAIL**



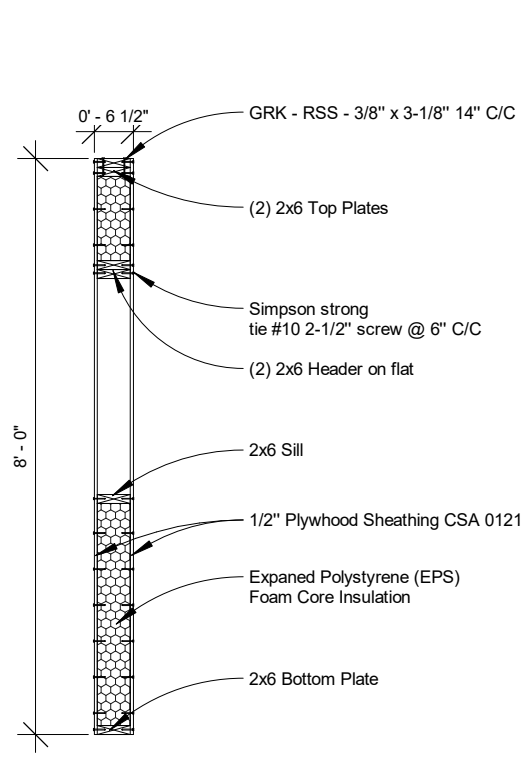
PANEL SECTION DETAIL



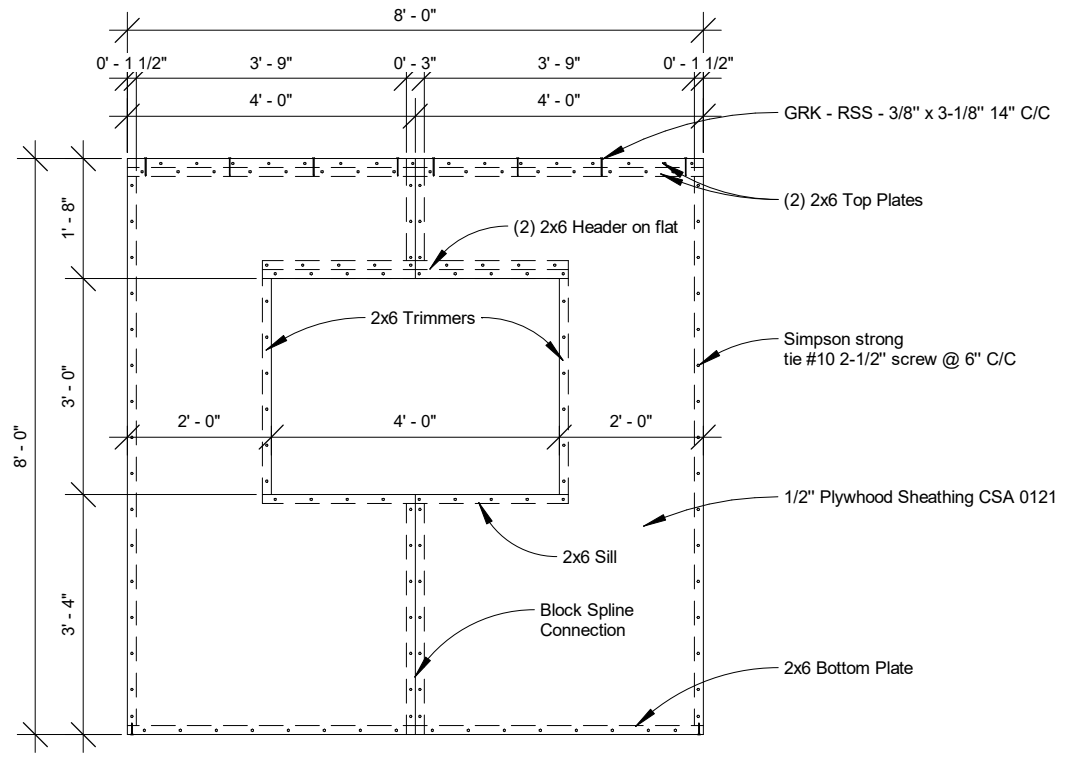
PANEL FRONT ELEVATION



**BLOCK SPLINE CONNECTION DETAIL**



**PANEL SECTION DETAIL**



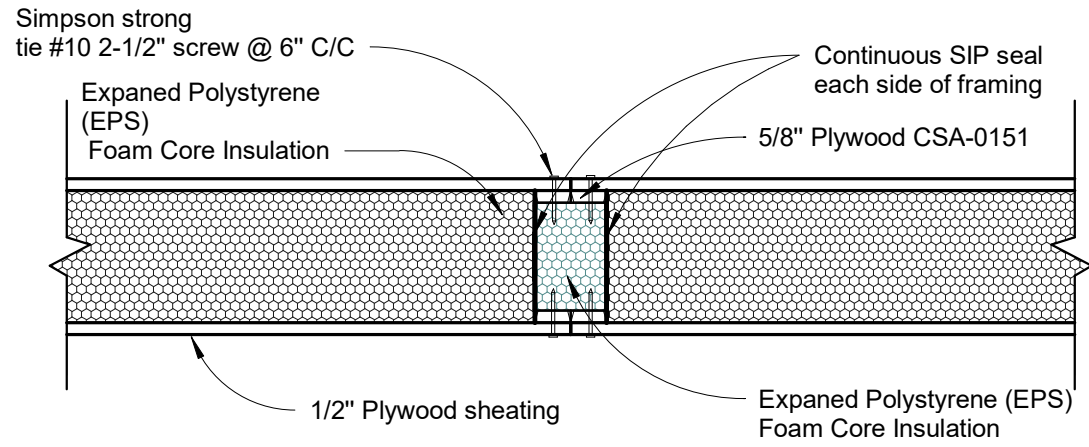
**PANEL FRONT ELEVATION**

# OMC PANELS

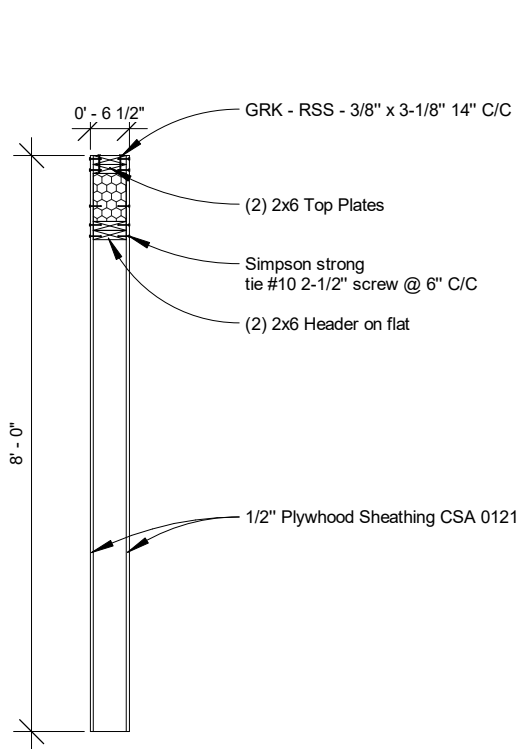
www.omcpanels.com

## CONSTRUCTION DETAILS

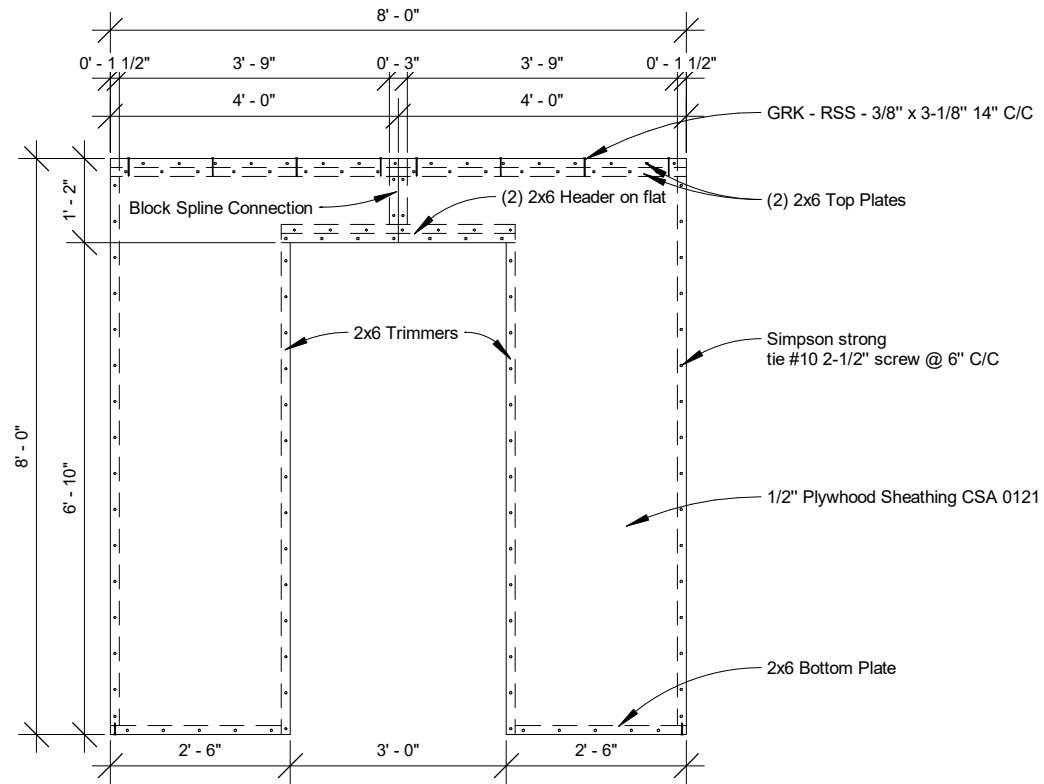
Stamps



**BLOCK SPLINE CONNECTION DETAIL**



PANEL SECTION DETAIL



PANEL FRONT ELEVATION